

**SYMPHONY FINTECH SOLUTIONS PVT
LTD**

Symphony Presto™ API Overview



[Overview](#)

[.NET API](#)

[.NET external](#)

[.NET Inhouse \(DataFeed directly from BDF\)](#)

[.NET Inhouse \(DataFeed via DDE/RTD\)](#)

[Java API](#)

[Java External](#)

[Java Inhouse \(DataFeed directly from BDF\)](#)

[Java Studio](#)

[Http Interface](#)

[HttpFileUpload](#)

Overview

Presto provides Order Manager & Data-Feed support to clients.

- .NET API is provided via a DLL
- Java API is provided via a jar-file
- Http Interface is provided via HTML/JavaScript

Presto Server is comprised of the following components (see diagrams below) :

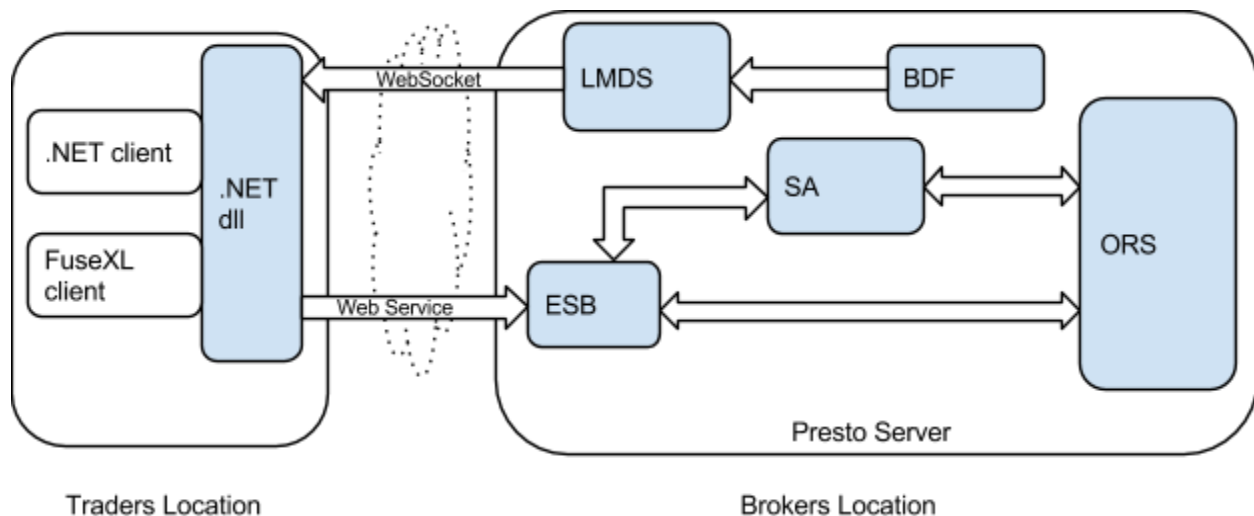
- BDF - Broadcast Data Feeder, receives raw broadcast from NSE/BSE/MCX
- LMDS - Lightweight Market Data Server, makes market-feed available in 1-second interval
- ORS - Order Routing Server, routes orders to exchanges via FIX 4.2 protocol
- SA - Strategy Agent, hosts and executes custom strategies
- ESB - Enterprise Service Bus, provides interface to external components

.NET API

.NET API is available in the following 3 flavors.

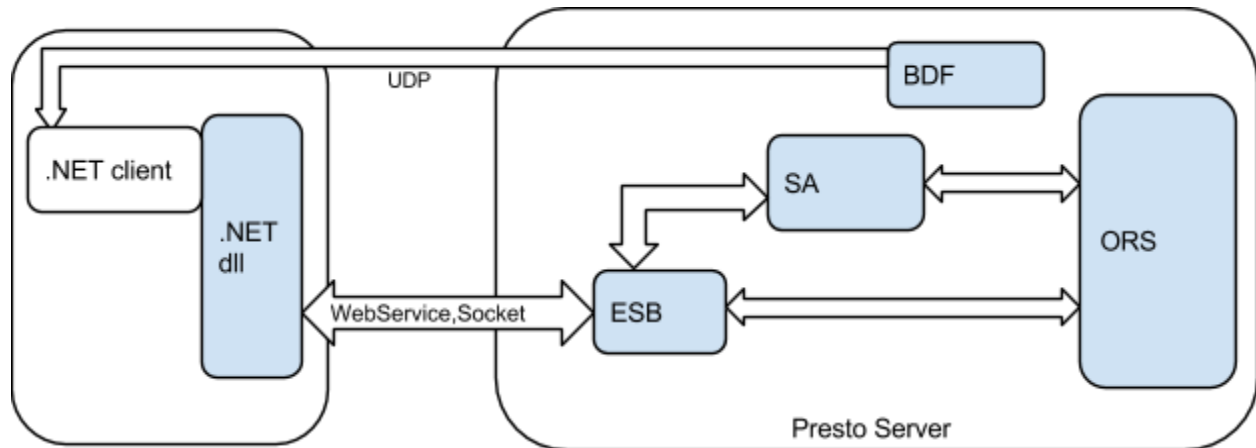
.NET external

The client will be located at a remote location with respect to the Presto Server and should be connected to the Presto Server via Internet.



.NET Inhouse (DataFeed directly from BDF)

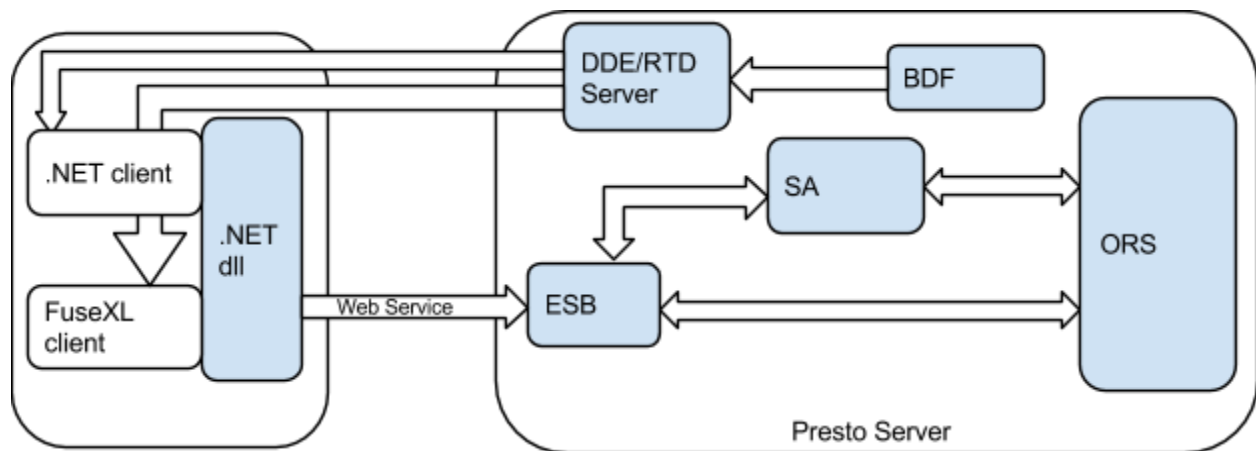
The client has to be located at the same location with Presto Server and should be connected to the Presto Server via LAN.



Brokers Location

.NET Inhouse (DataFeed via DDE/RTD)

The client has to be located at the same location with Presto Server and should be connected to the Presto Server via LAN.



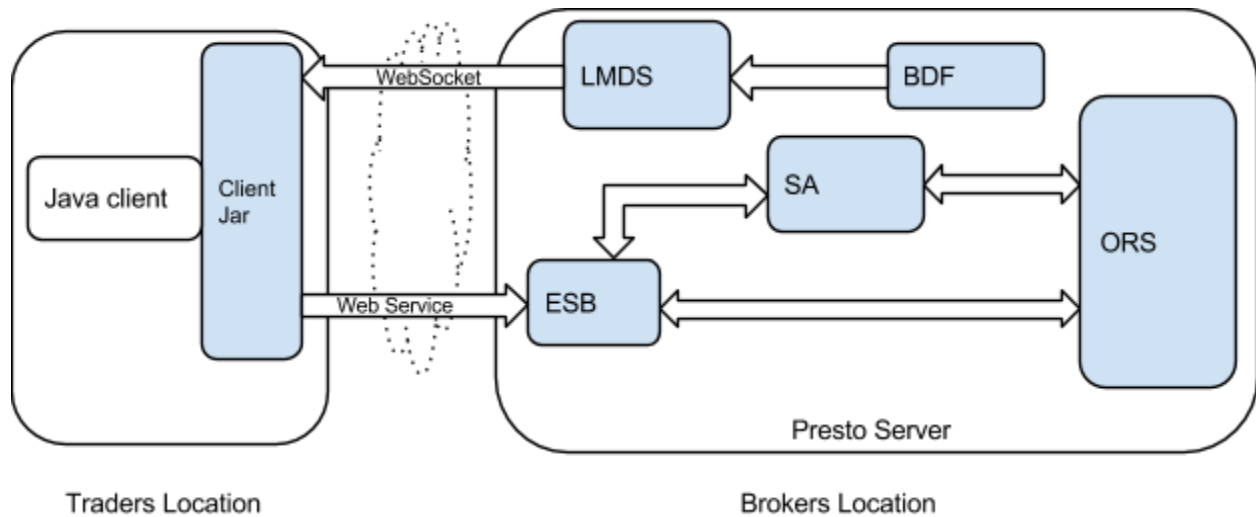
Brokers Location

Java API

Java API is available in the following 3 flavors.

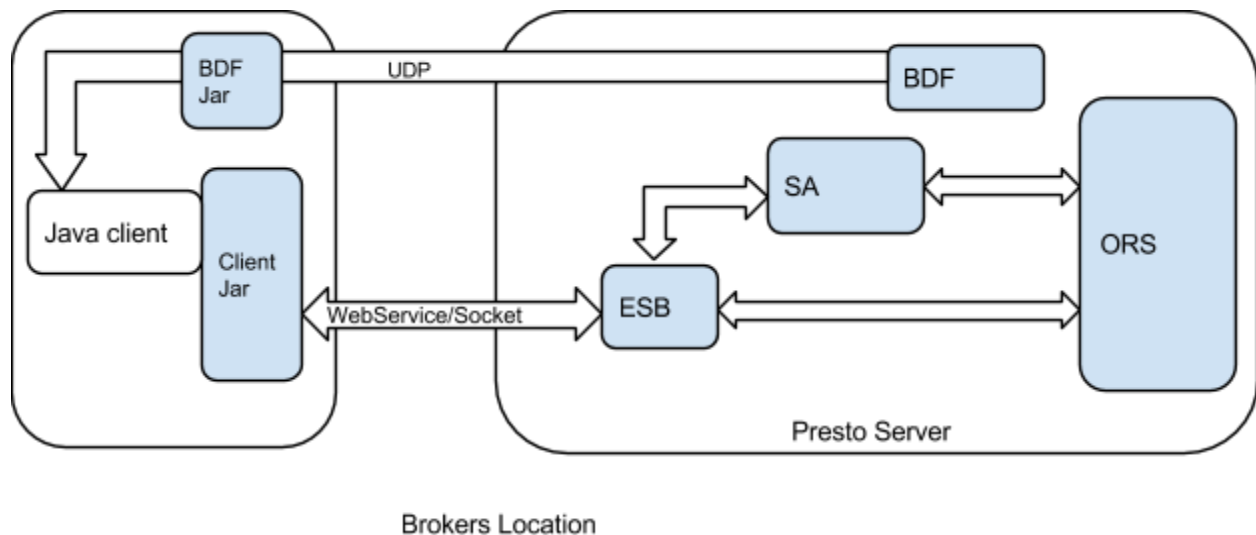
Java External

The client will be located at a remote location with respect to the Presto Server and should be connected to the Presto Server via Internet.



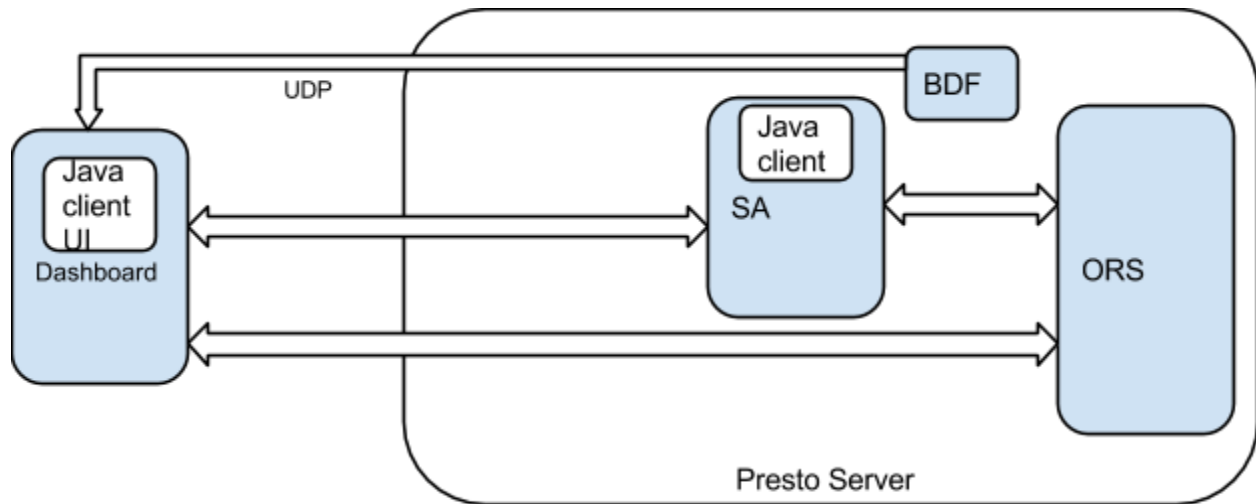
Java Inhouse (DataFeed directly from BDF)

The client has to be located at the same location with Presto Server and should be connected to the Presto Server via LAN.



Java Studio

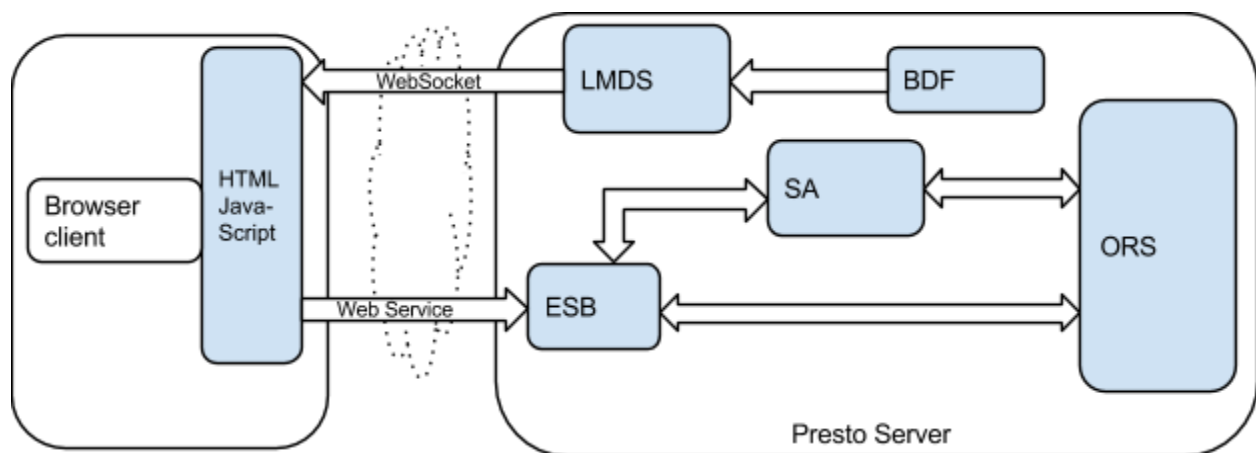
The client will be embedded inside the Strategy Agent (SA). The Client UI will be embedded inside the Presto Dashboard. The Dashboard will be available to a local user over the LAN and to a remote user via Terminal Server.



Brokers Location

Http Interface

The client will typically be a browser connected to the Presto Server via Internet.



Traders Location

Brokers Location

HttpFileUpload

An API is also available to upload a file to an Execution Strategy running inside the SA.